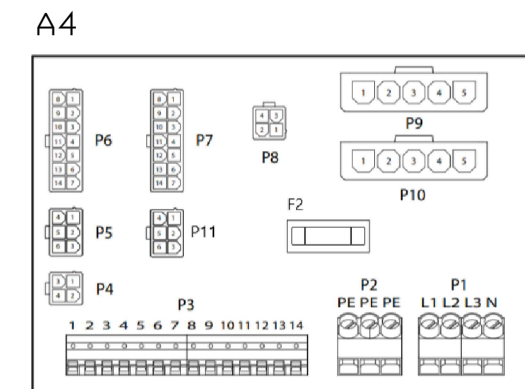
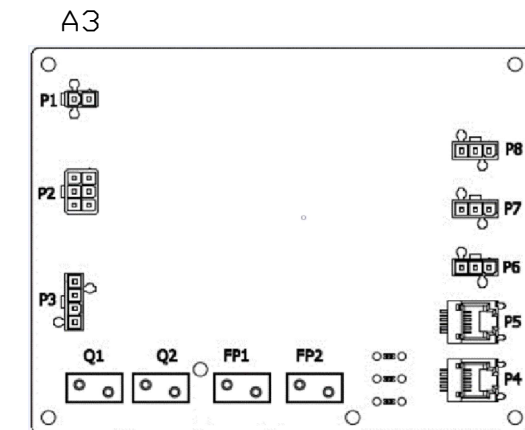
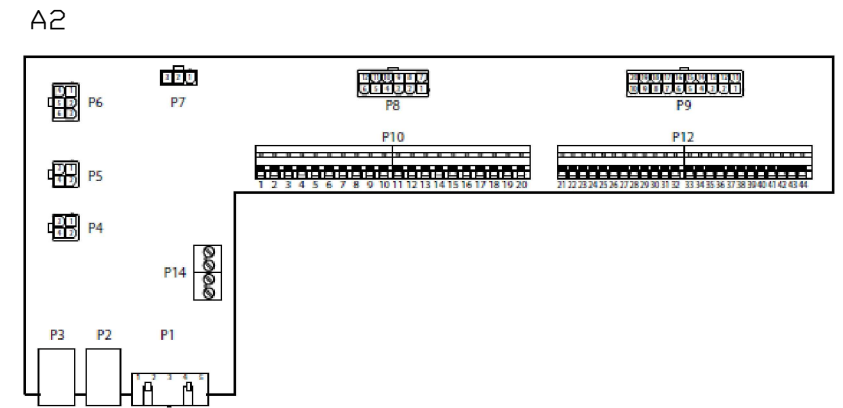
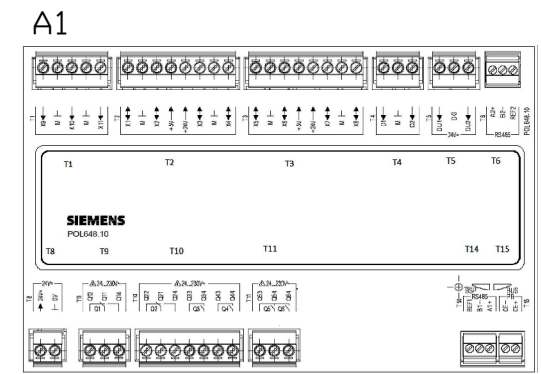
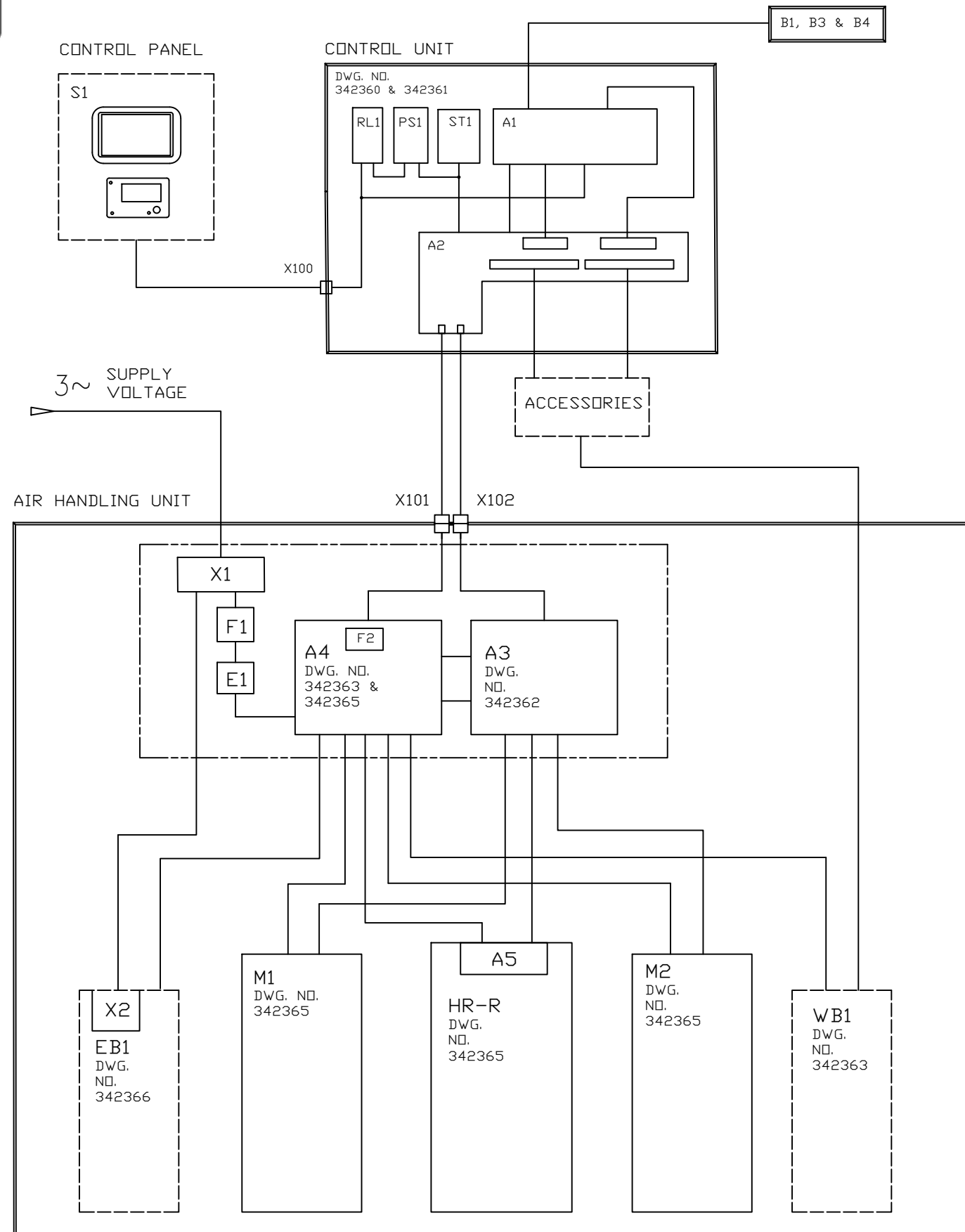


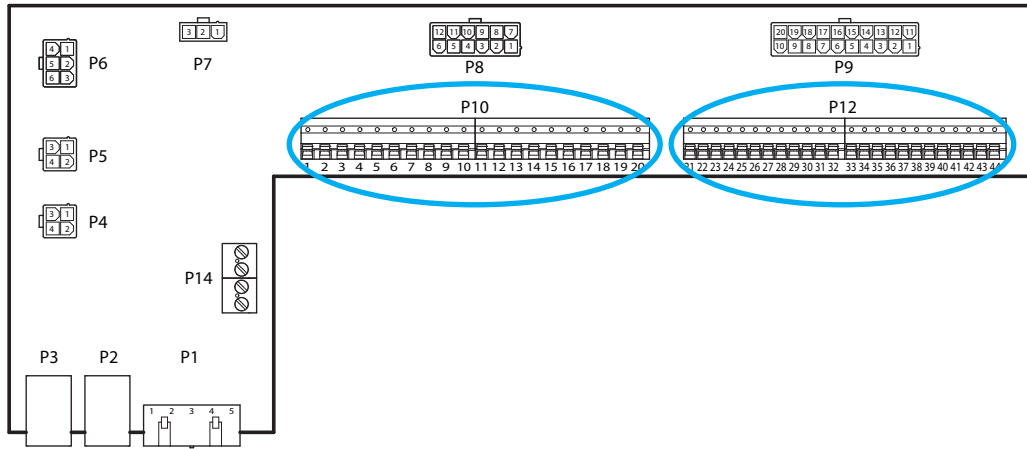
EN



No. Unit	Pos. No.	Name, type, dim.	Drawing no. Standard	Art. No.	Matr. Spec.
Date	2021-05-26	Drawn <b>RydKri</b>	Projection 	Scale	
Checked		Appr.			
<b>CONNECTION DIAGRAM</b> ProNordic S100-S260 ART.NO 118109				Replaces:	Replaced by:
				342359	

Rev.	Changes	Date/Sign.

A2



## External accessories

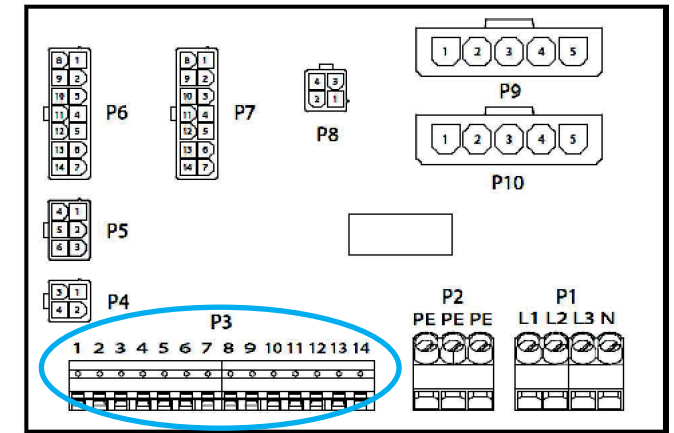
Terminal block P10 has the following signals:

Block	Funktion	Description
1	L1 Ut (230V)	Power supply external accessories
2	N	Power supply external accessories
3	L1 Ut (230V)	Power supply Outdoor air damper
4	L1 230V	Control signal Outdoor air damper ON/OFF
5	N	Power supply Outdoor air damper
6	L1 Ut (230V)	Power supply Exhaust air damper
7	L1 230V	Control signal Exhaust air damper ON/OFF
8	N	Power supply Exhaust air damper
9	C	Pot.free contact (Cooling DX2 or Fire damper) ON/OFF
10	NO	Pot.free contact (Cooling DX2 or Fire damper) ON/OFF
11	N/A	No connection
12	C	Pot.free contact (Sum alarm / AUX Operating mode indication) ON/OFF
13	NO	Pot.free contact (Sum alarm / AUX Operating mode indication) ON/OFF
14	NO	Pot.free contact Cooling (DX1 or Pump) ON/OFF
15	C	Pot.free contact Cooling (DX1 or Pump) ON/OFF
16	L1 Ut (230V)	Power supply external accessories
17	NO	Pot.free contact Heating WB1 (pump) ON/OFF
18	C	Pot.free contact Heating WB1 (pump) ON/OFF
19	N	Power supply external accessories
20	N/A	No connection

Terminal block P12 has the following signals:

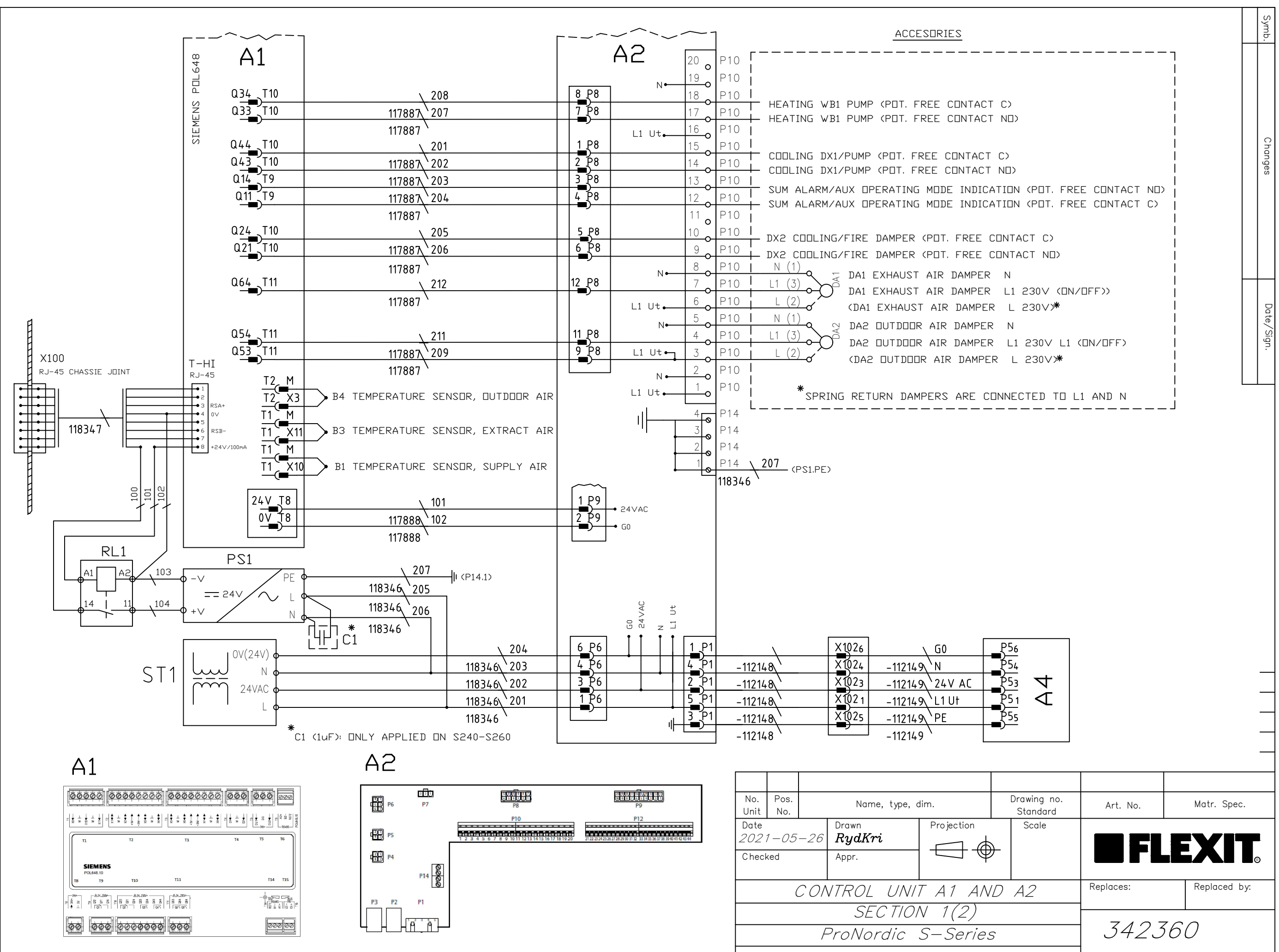
Block	Funktion	Description
21	AO 0-10V	Control signal Cooling (valve or DX)
22	G0	Signal ground Cooling
23	DI	Signal External control step 1
24	G0	Signal ground External control step 1
25	DI	Signal External control step 2
26	G0	Signal ground External control step 2
27	DI alarm	Signal Fire/Smoke input
28	G0	Signal ground External control step 3
29	AI 0-10V	Signal Air quality (e.g CO <sub>2</sub> )
30	G0	Signal ground Air quality
31	AO 0-10V	Control signal Heating WB1 (valve)
32	24VAC	Power supply Heating WB1 (valve), Fire damper position feedback, Fire/smoke,
33	G0	Signal ground Heating WB1 (valve)
34	DI	Signal External control step 3
35	DI	Signal Fire damper position feedback
36	G0	Signal ground
37	AO 0-10V	Control signal AUX damper
38	G0	Signal ground AUX damper
39	Universal I/O	Spare
40	G0	Spare
41	CE-	Process bus accessories (e.g.KNX-LTE)
42	CE+	Process bus accessories (e.g.KNX-LTE)
43	AI 0-10V	Supply fan external setpoint (e.g VAV)
44	AI 0-10V	Extract fan external setpoint(e.g VAV)

A4

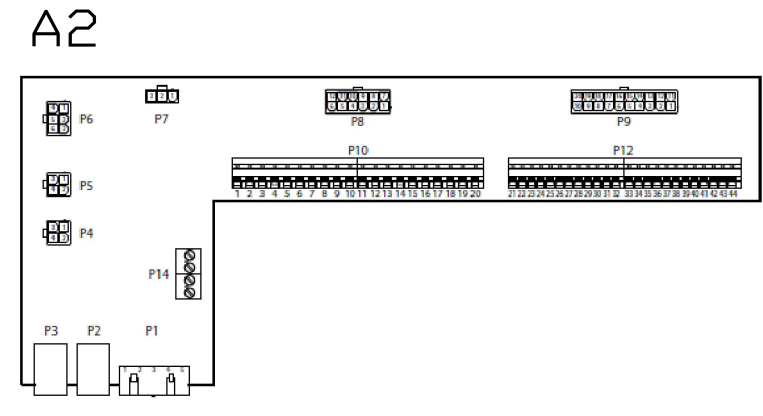
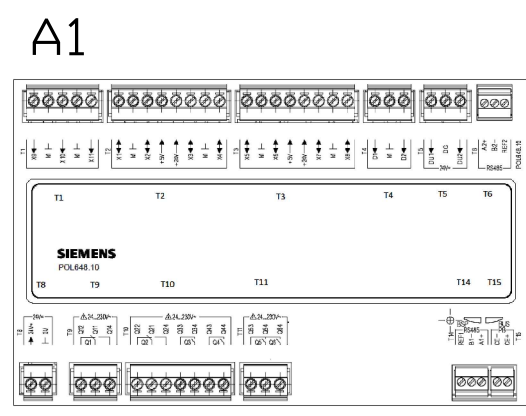


Terminal block P3 has the following signals:

Block	Funktion	Description
1	G0	Signal ground external accessories
2	24VAC	Power supply external accessories
3	G0	Signal ground external accessories
4	AO 0-10V	EV (Not used)
5	G0	Signal ground Temp.sensor return water B5
6	DI	Overheating thermostat F10 (Not used)
7	AI	Signal Temp.sensor return water B5
8	N/A	No connection
9	N	Power supply external accessories
10	NO	EV2 (Not used)
11	C	EV2 (Not used)
12	L1 Ut (230V)	Power supply external accessories
13	N	Power supply external accessories
14	L1 Ut (230V)	Power supply external accessories



Symb. Changes Date/Sign.

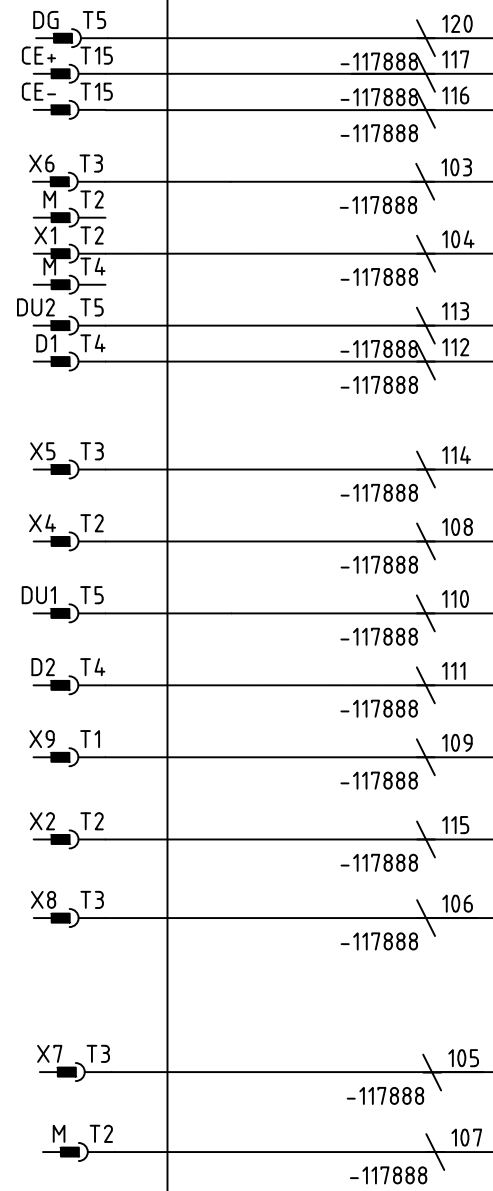


No. Unit	Pos. No.	Name, type, dim.	Drawing no. Standard	Art. No.	Matr. Spec.
Date	2021-05-26	Drawn	RydKri	Projection	Scale
Checked		Appr.			
CONTROL UNIT A1 AND A2 SECTION 1(2) ProNordic S-Series				Replaces:	Replaced by:
				342360	

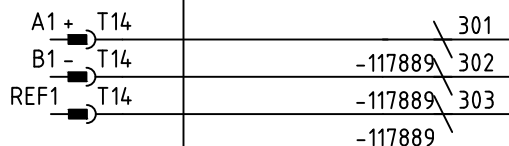
Lay-out Moun\*tain

SIEMENS POL648

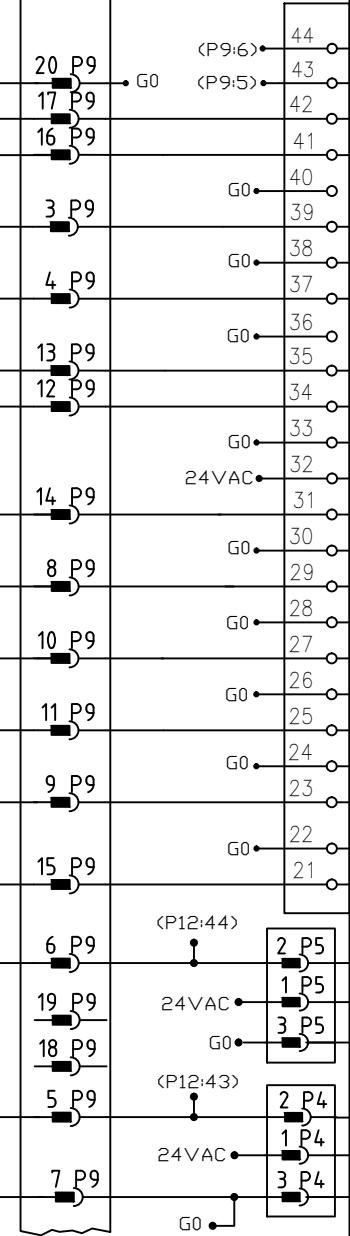
A1



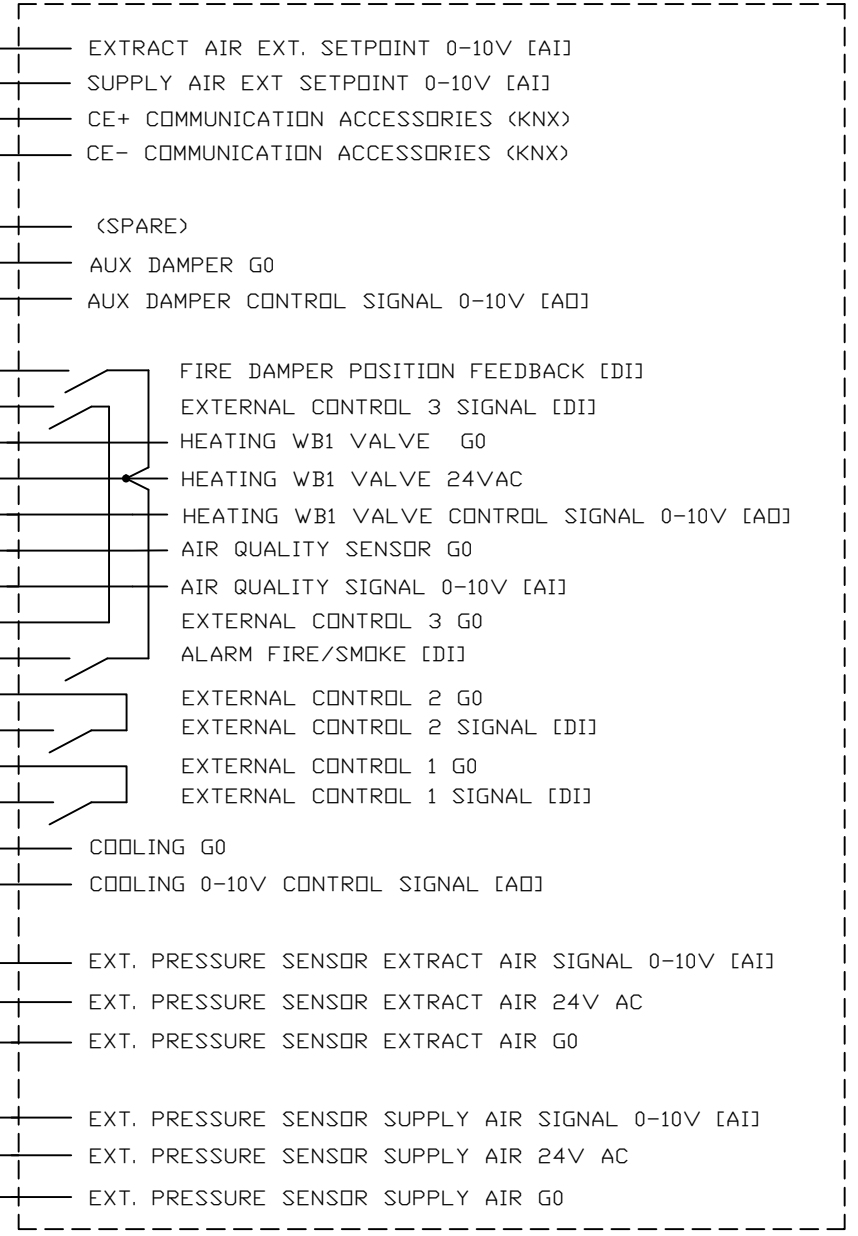
MODBUS RS485



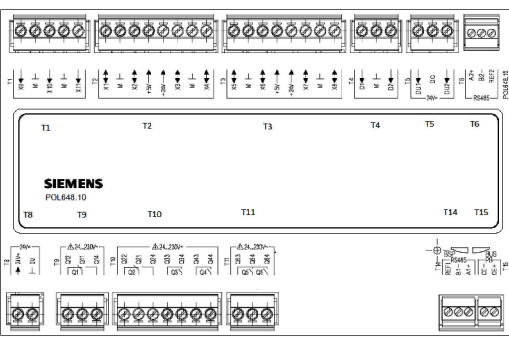
A2



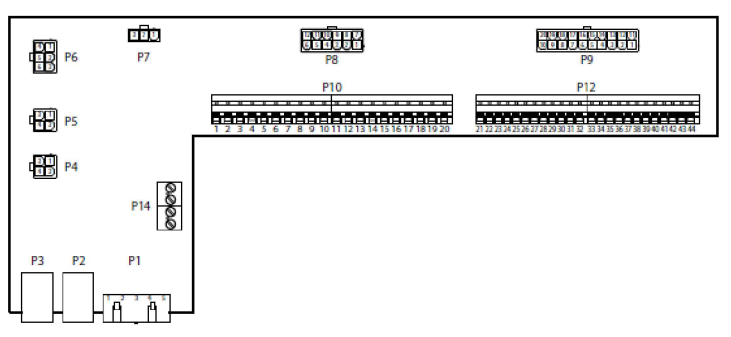
ACCESSORIES



A1



A2

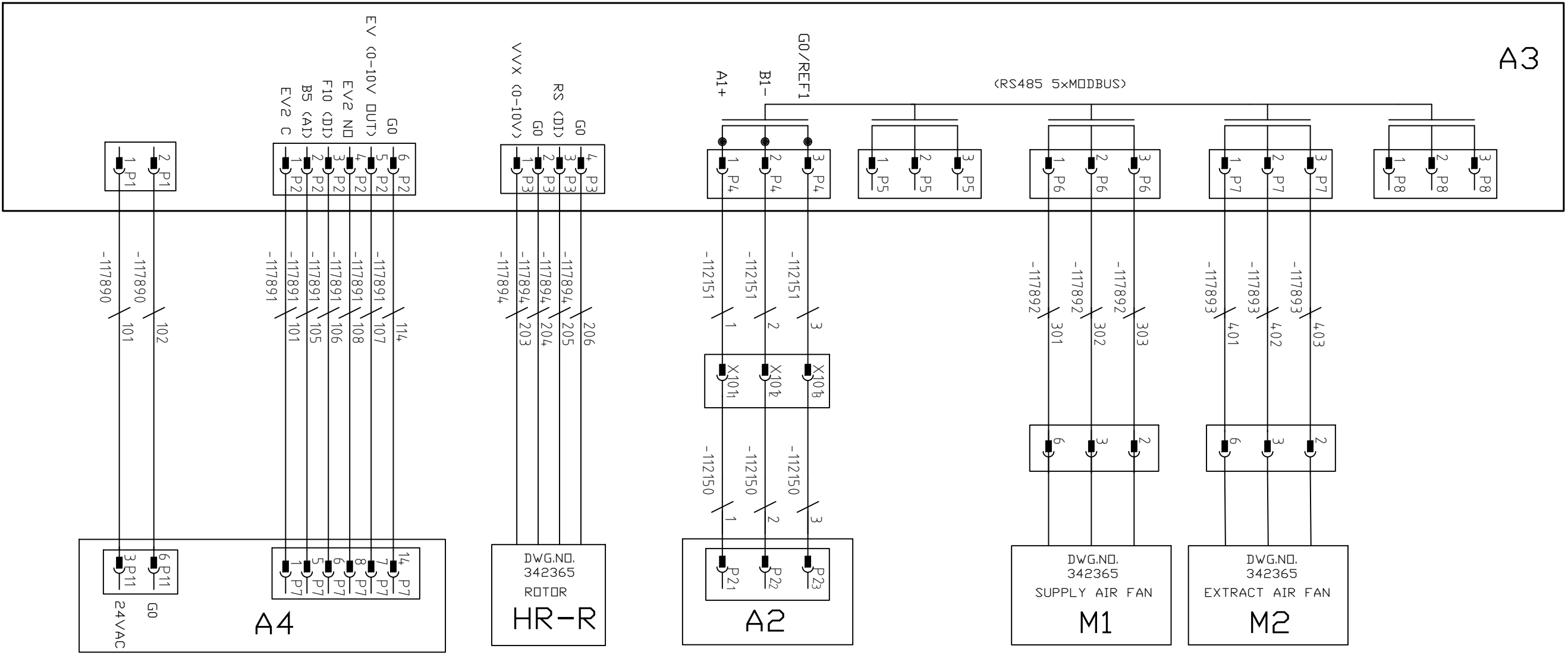


No. Unit	Pos. No.	Name, type, dim.	Drawing no. Standard	Art. No.	Matr. Spec.
Date	2021-05-26	Drawn <b>RydKri</b>	Projection Scale		
Checked		Appr.			
CONTROL UNIT A1 AND A2				Replaces:	Replaced by:
SECTION 2(2)				342361	
ProNordic S-Series					

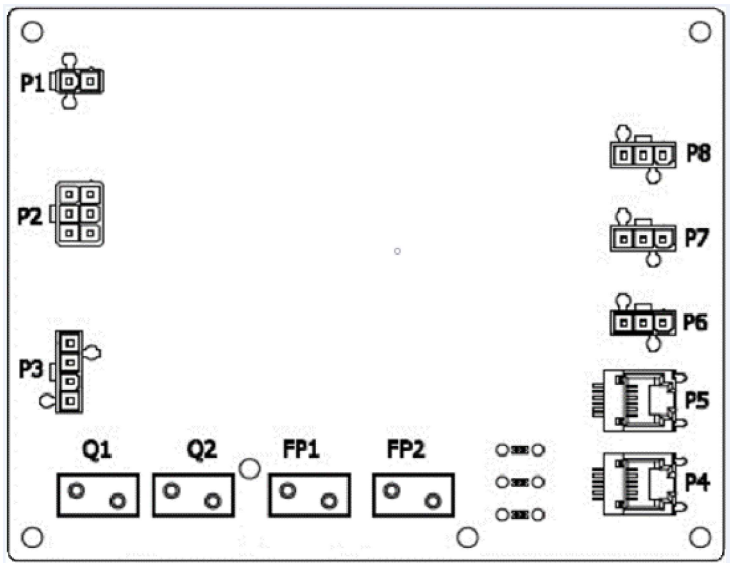
Symb. Changes Date/Sign.

Lay-out Moun\*rain

A3

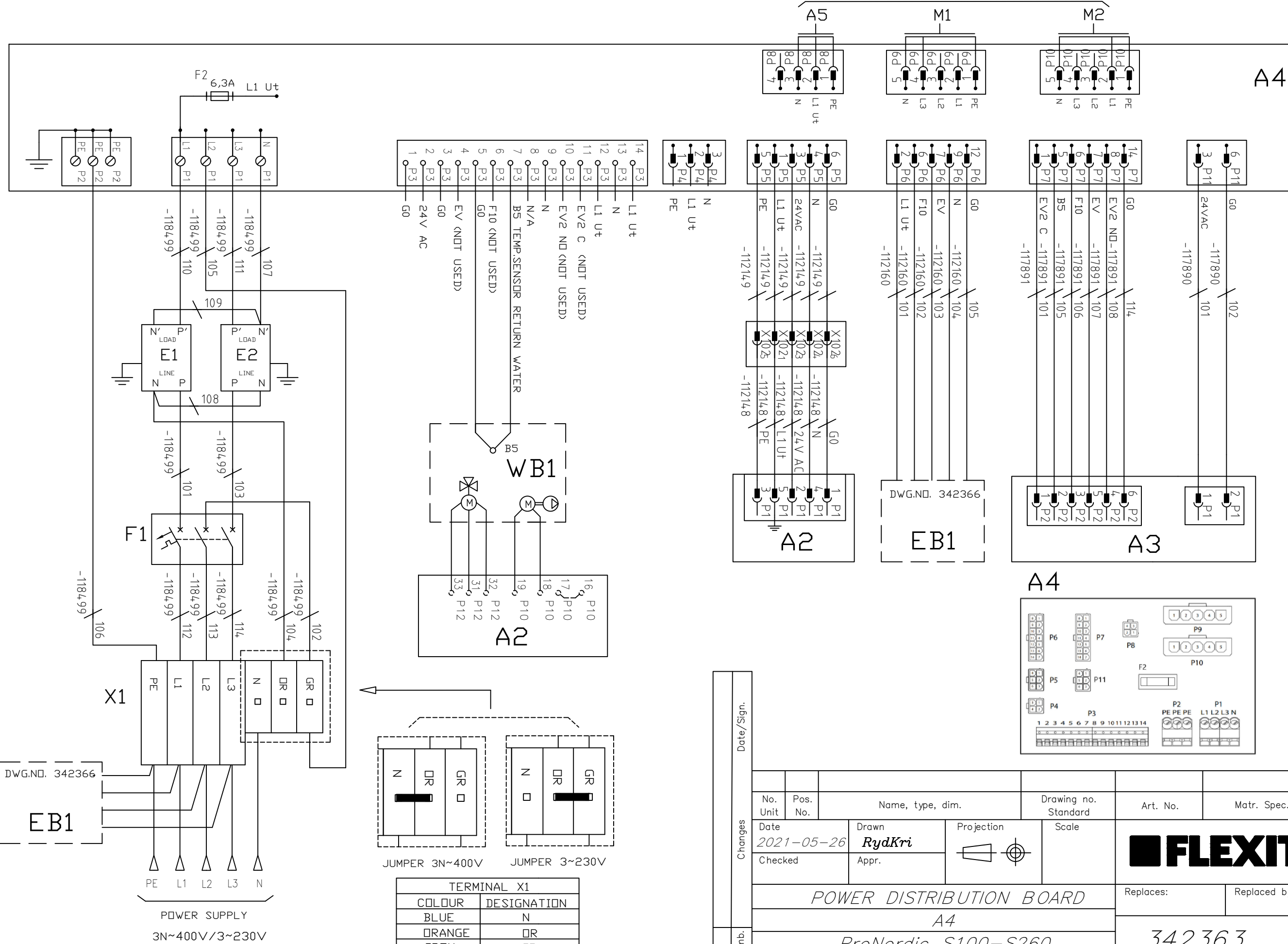


A3



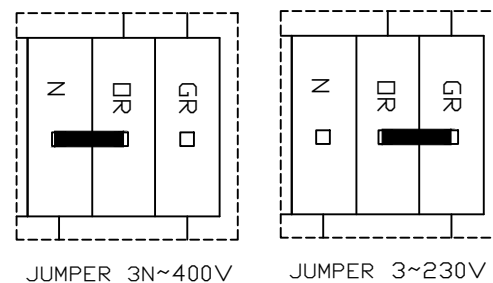
Changes	No. Unit	Pos. No.	Name, type, dim.	Drawing no. Standard	Art. No.	Matr. Spec.	
	Date	2021-05-26	Drawn <b>RydKri</b>	Projection 	Scale	<b>FLEXIT</b>	
	Checked		Appr.				
	MODBUS I/O-EXTENDER A3					Replaces:	Replaced by:
Rev	ProNordic S100-S260					342362	

Lay-out Moun\*tain

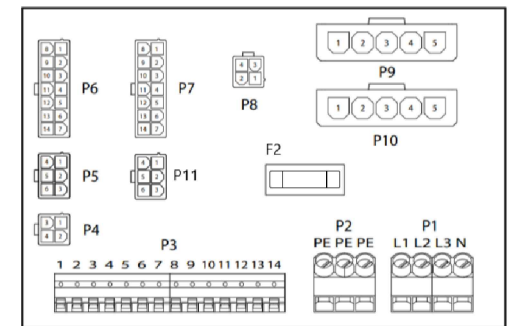


DWG.NO. 342366  
EB1

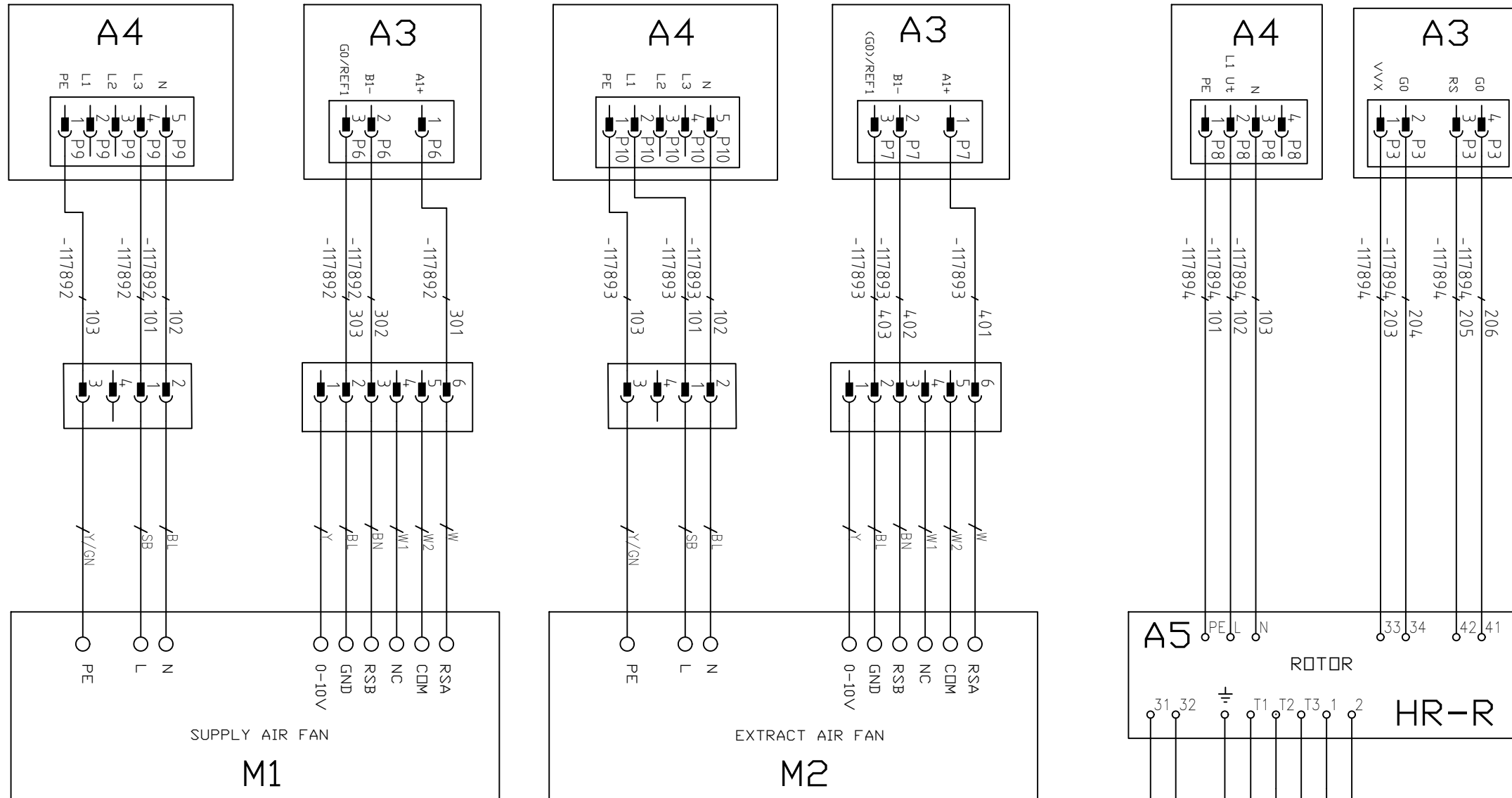
POWER SUPPLY  
3N~400V/3~230V



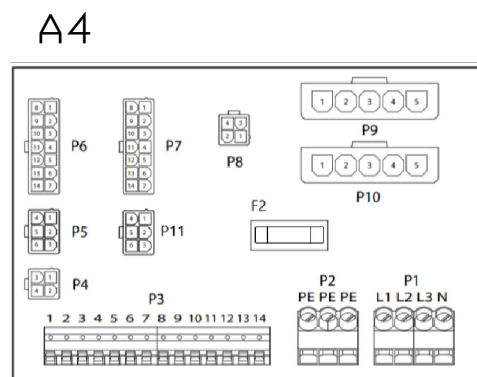
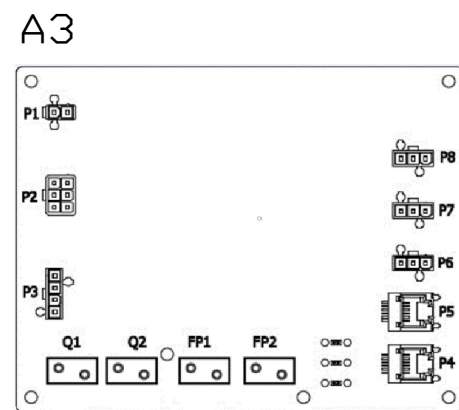
TERMINAL X1	
COLOUR	DESIGNATION
BLUE	N
ORANGE	DR
GREY	GR



Date/Sign.		Name, type, dim.		Drawing no. Standard	Art. No.	Matr. Spec.
No. Unit	Pos. No.					
Date	Drawn	Projection	Scale			
2021-05-26	RydKri					
Checked	Appr.			Replaces:		
Changes 1 Symb.				POWER DISTRIBUTION BOARD A4		Replaced by:
				ProNordic S100-S260		342363

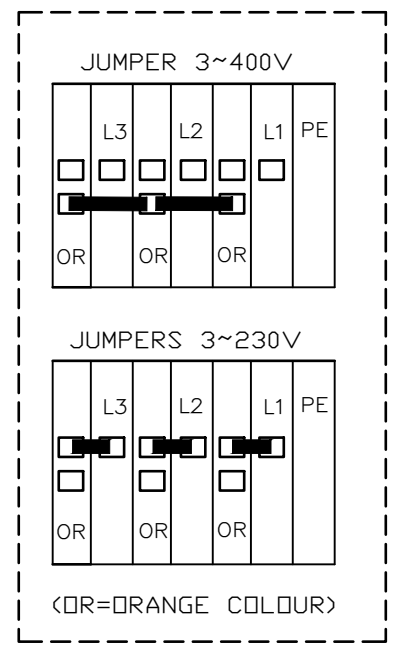
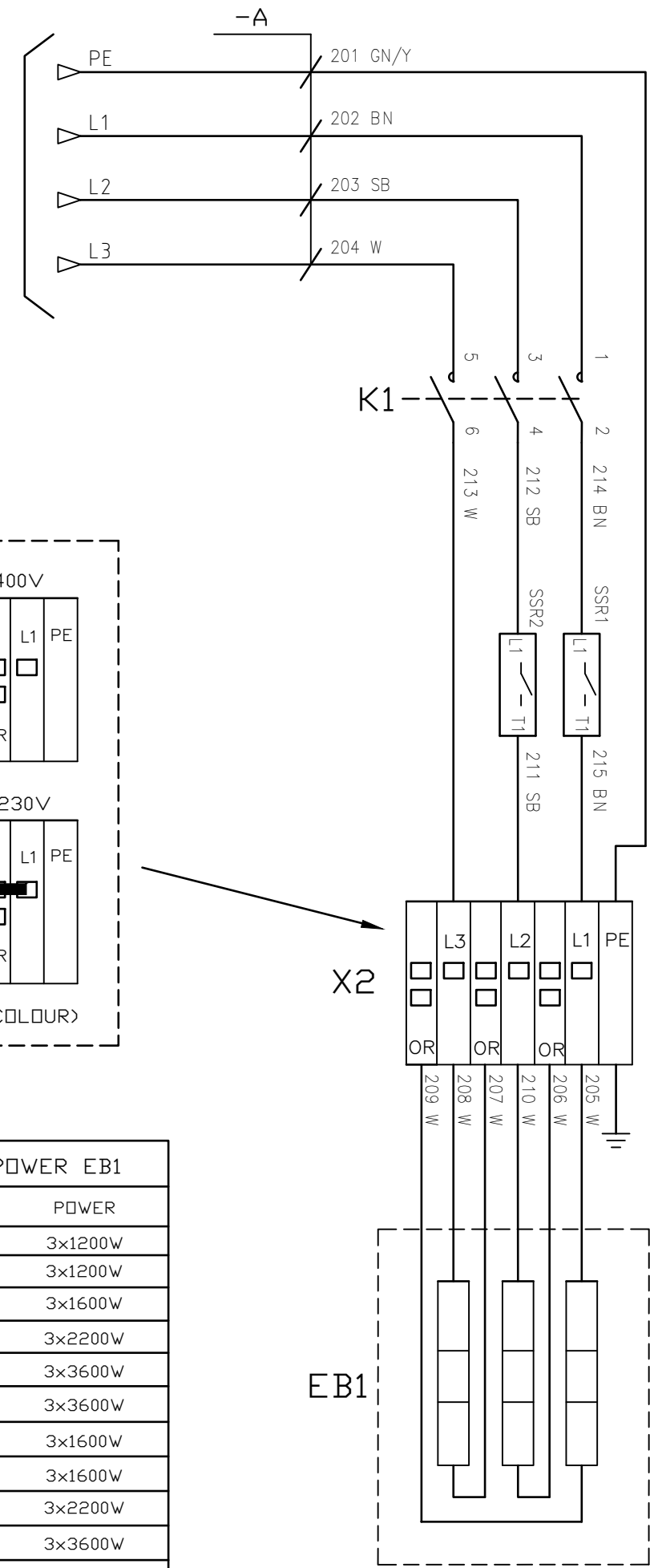


DESIGNATION	S100/S140/S180	S220/S240	S260
M1	500W	750W	1500W
M2	500W	750W	1500W
HR-R(M4)	40W	40W	40W

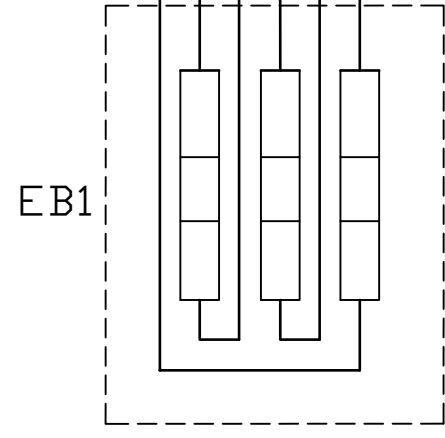


Symb.	Changes	Date/Sign.	No. Unit		Name, type, dim.		Drawing no. Standard		Art. No.		Matr. Spec.	
		Date	2021-05-26	Pos. No.		Drawn	RydKri	Projection	Scale			
		Checked		Appr.								
FANS + ROTOR M1, M2 AND HR-R ProNordic S100-S260									Replaces:	Replaced by:		
									342365			

FROM X1 DWG.NO. 342363

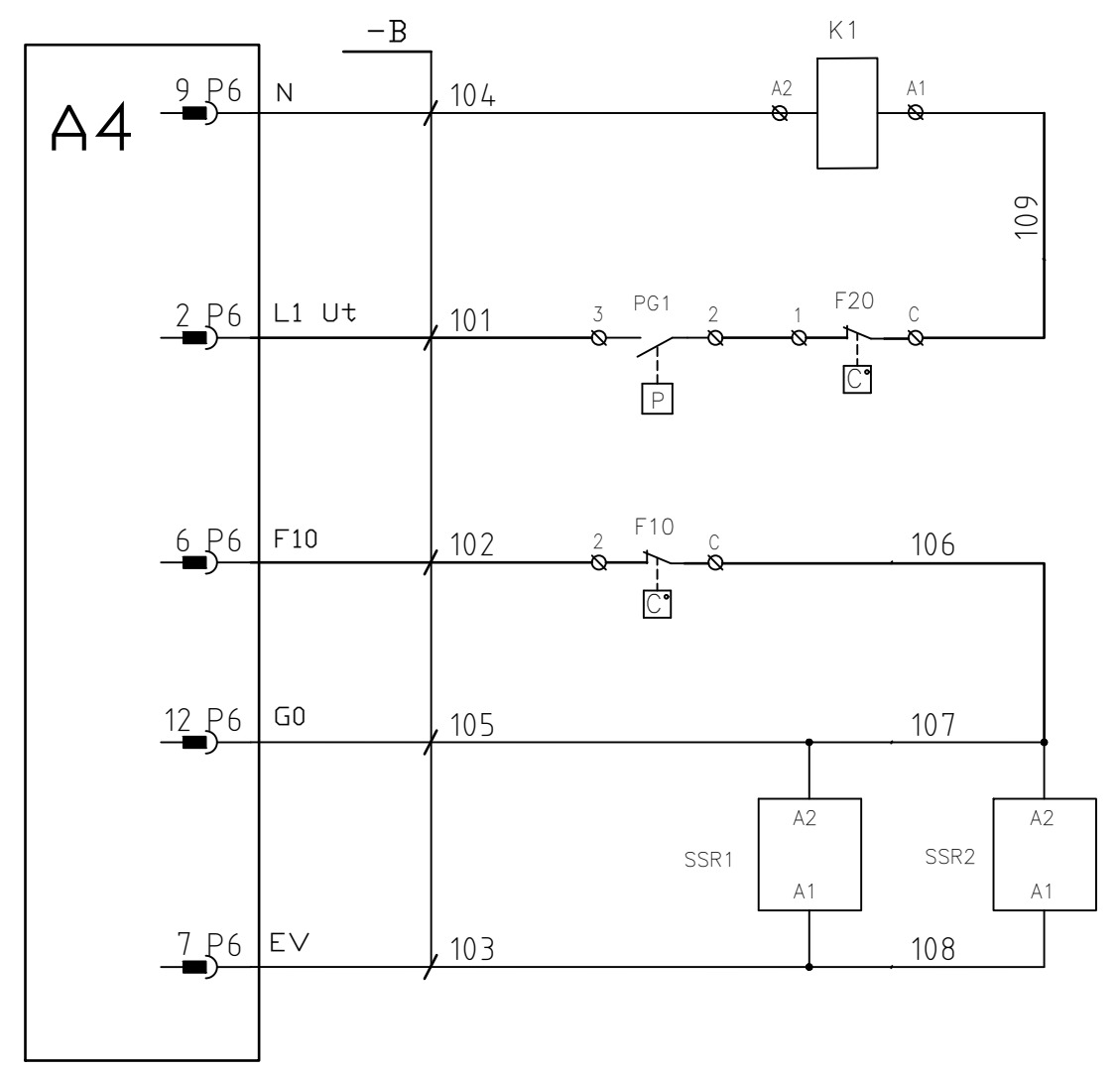


HEATING POWER EB1	
UNIT MODEL	POWER
S100	3x1200W
S140	3x1200W
S180	3x1600W
S220	3x2200W
S240	3x3600W
S260	3x3600W
L110	3x1600W
L150	3x1600W
L190	3x2200W
L230	3x3600W
L270	3x3600W



COLOUR ABBREVIATIONS

BLACK	WHITE	RED	BLUE	YELLOW	GREEN	GREY	BROWN	ORANGE	PINK	VIOLET
SB	W	R	BL	Y	GN	GR	BN	OR	P	VO



UNIT MODEL	ELECTRIC HARNESS ART.NO	
	-A	-B
S100-S220	112161	112160
S240-S260	112907	112939
L110-L190	112161	112160
L230-L270	112907	112939

Date/Sign.						
	No. Unit	Pos. No.	Name, type, dim.	Drawing no. Standard	Art. No.	Matr. Spec.
Changes	Date	Drawn	Projection	Scale		
	2021-05-26	RydKri				
Rev.	Checked	Appr.				
	ELECTRIC HEATER EB1					
	ProNordic S100-S260/L110-L270		342366			



DESCRIPTION	NO	EN	SV	DA	FI
<b>A1</b>	Regulator	Regulator	Regulator	Styresystem	Ohjausjärjestelmä
<b>A2</b>	Koblingskort	Connection board	Anslutningskort	Klemmekort	Riviliitinkortti
<b>A3</b>	Modbusextender	Modbus extender	Modbusextender	Modbusextender	Modbus-laajennin
<b>A4</b>	Strømforsyningskort	Power supply board	Strömförsörjningskort	Strømforsyningskort	Virransyöttökortti
<b>A5</b>	Styresignaler til rotor	Rotor controller	Rotorstyrning	Styresignaler til rotor	Roottorin ja lämpötila
<b>B1</b>	Temperaturføler, tilluft	Temperature sensor, supply air	Temperaturgivare, tilluft	Temperaturføler, indsugningsluft	Tuloilma-anturi
<b>B3</b>	Temperaturføler, avtrekk	Temperature sensor, extract air	Temperaturgivare, frånluft	Temperaturføler, udsugning	Lämpötila-anturi, poistoilma
<b>B4</b>	Temperaturføler, uteluft	Temperature sensor, outdoor air	Temperaturgivare, uteluft	Temperaturføler, udeluft	Lämpötila-anturi, ulkoilma
<b>B5</b>	Returvannsføler vannbatteri	Returnwater sensor, water battery	Returvattengivare, vattenbatteri	Temperaturføler, vandvarmevlade	Lämpötila-anturi, vesipatteri
<b>DA1</b>	Avkastspjæld	Exhaust air damper	Avluftsspjäll	Spjæld, udsugningsluft	Sulkupelti, poistoilma
<b>DA2</b>	Uteluftspjæld	Outdoor air damper	Uteluftsspjäll	Spjæld, udeluft	Sulkupelti, ulkoilma
<b>EB1</b>	Ettervarmebatteri, elektrisk	Heating battery, electrical	Eftervarmebatteri, elektrisk	Eftervarmeflade, elektrisk	Lämmityspatteri, sähkö
<b>F1</b>	Sikring	Fuse	Säkring	Sikring	Sulake
<b>F10</b>	Overopphetningstermostat EB1 Manuell reset	Thermostat overheating EB1 Manual reset	Överhettningstermostat EB1 Manuell återställning	Overophedningstermostat EB1 Manuel resetfunktion	Yliämpötermostaatti EB1 Manuaalinen nollaus
<b>F20</b>	Overhetningstermostat EB1 Automatisk reset	Thermostat overheating EB1 Automatic reset	Överhettningstermostat EB1 Automatisk återställning	Overophedningstermostat EB1 Automatisk reset	Termostaatti EB1 Automaattinen nollaus
<b>M1</b>	Tilluftsvifte	Supply air fan	Tilluftsflykt	Indsugningsventilator	Tuloilmapuhallin
<b>M2</b>	Avtrekksvifte	Extract air fan	Frånluftsflykt	Udsugningsventilator	Poistoilmapuhallin
<b>M4</b>	Rotormotor	Rotor motor	Rotormotor	Rotormotor	LTO-kiekon mootori
<b>PG1</b>	Trykkvakt, EB1	Pressure Guard, EB1	Tryckvakt, EB1	Pressostat, EB1	Paine-eroanturi, EB1
<b>P10</b>	Rotorvakt	Rotation detector	Rotationsvakt	Rotations detektor	Pyöritys ilmaisin
<b>S1</b>	Styrepanel	Control panel	Styrpanel	Styrepanel	Ohjauspaneeli
<b>ST1</b>	Transformator	Transformer	Transformator	Transformator	Muuntaja
<b>WB1</b>	Ettervarmebatteri, vann	Heating battery, water based	Eftervarmebatteri, vatten	Eftervarmeflade, vand	Lämmityspatteri, vesi
<b>HR-R</b>	Rotor	Rotor	Rotor	Rotor	Roottorin
<b>F2</b>	Sikring, kretskort	Fuse, printed circuit boards	Säkring, kretskort	Sikring, printkort	Sulake, piirikortti
<b>K1</b>	Kontaktor, EB1	Contact, EB1	Kontaktor, EB1	Kontaktor, EB1	Kontaktori, EB1
<b>SSR1, SSR2</b>	Halvlederrelé, EB1	Solid state relay, EB1	Halvlederrelä, EB1	Halvlederrelæ, EB1	Puolijohderele, EB1
<b>X1</b>	Rekkeklemme, forsyning	Connector, supply voltage	Anslutningsplint, matning	Rækkeklemmer indgående forsyning	Riviliittimet – sisääntulevaa syöttöä varten
<b>X2</b>	Rekkeklemme, EB1	Connector terminal, EB1	Anslutningsplint, EB1	Rækkeklemmer, EB1	Riviliittimet, EB1
<b>X100</b>	ISDN skjøtekontakt	RJ45 contact	RJ45 skarvkontakt	RJ45-samlemuffe	RJ45-liitäntä
<b>X101</b>	RJ12 skjøtekontakt	RJ12 contact	RJ12 skarvkontakt	RJ12-samlemuffe	RJ12-liitäntä
<b>X102</b>	Skjøtekontakt	Contact	Skarvkontakt	Samlemuffe	Liitäntä
<b>E1, E2</b>	EMC-filter	EMC filter	EMC-filter	EMC-filter	EMC-suodatin
<b>RL1</b>	Relé	Relay	Relä	Relæ	Rele
<b>PS1</b>	24V DC strømforsyning	24V DC power supply	24V DC nättaggregat	24V DC strømforsyning	24 V DC virtalähde
<b>C1</b>	Kondensator	Capacitor	Kondensator	Kondensator	Kondensaattori